



Image may differ from product. See technical specification for details.

UCF 211/H

Square flanged ball bearing unit with set screw locking, cast iron housing, JIS

These square flanged ball bearing units are compliant with Japanese Industrial Standards (JIS). They consist of an insert bearing, with an extended inner ring and set screw locking, and are suitable for applications where the direction of rotation is constant or alternating. The bearing is mounted in a cast iron housing, which can be bolted to a machine wall or frame. Ball bearing units can accommodate moderate initial misalignment, but normally do not permit axial displacement.

- Resist high levels of contamination
- Designed for high temperatures and speeds
- Accommodate relatively heavy loads
- Cost-effective

Overview

Dimensions

Shaft diameter	55 mm
Housing overall width	43 mm
Width, total	58.4 mm
Centre distance between bolt holes	130 mm
Bearing width, total	55.6 mm

Properties

Housing type	Flanged
Flanged housing type	Square
Number of bolt holes for fasteners	4
Fastening bolt hole type	Plain
Retaining feature, inner ring	Set screws
Bore type	Cylindrical
Rubber seating ring	Without
Material, housing	Cast iron
Material, bearing	Bearing steel
Coating	Without
Sealing, bearing	Seal and flinger on both sides
Sealing type	Contact, standard
Sealing, unit	Optional end cover
Lubricant	Grease
Relubrication hole	With
Grease fitting	With

Performance

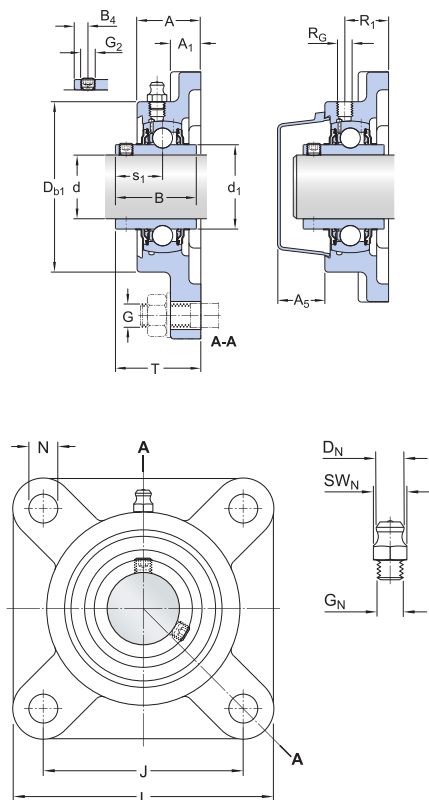
Basic dynamic load rating	43.6 kN
Basic static load rating	29 kN
Limiting speed	3 000 r/min
Note	Limiting speed with shaft tolerance h6

Logistics

Product net weight	3.28 kg
eClass code	23-05-16-02
UNSPSC code	31171536

Technical specification

Compliance with standard	JIS
Purpose specific	For material handling applications
Material, housing	Cast iron
Sealing, bearing	Seal and flinger on both sides
Sealing type, bearing	Contact, standard
Sealing, unit	Optional end cover
Coating	Without



Dimensions

d	55 mm	Bore diameter
d ₁	≈ 69.06 mm	Outer diameter of inner ring
A	43 mm	Width of housing
A ₁	18 mm	Flange width
A ₅	37.5 mm	Standout of end cover
B	55.6 mm	Width of inner ring
B ₄	9 mm	Distance from locking device side face to thread centre
D _{b1}	130 mm	Top external diameter
J	130 mm	Distance between attachment bolts
L	162 mm	Overall length
N	19 mm	Diameter of attachment bolt hole
s ₁	33.4 mm	Distance from locking device side face to raceway centre
T	58.4 mm	Overall width

THREADED HOLE

R _G	1/8-27 NPT	Housing thread for grease fitting
R ₁	29 mm	Axial position of the housing thread

GREASE FITTING

D_N	6.589 mm	Diameter of head sphere of grease fitting
SW_N	11.11 mm	Hexagonal key size for the grease fitting
G_N	1/8-27 NPT	Thread of grease fitting

Calculation data

Basic dynamic load rating	C	43.6 kN
Basic static load rating	C_0	29 kN
Fatigue load limit	P_u	1.25 kN
Limiting speed		3 000 r/min
		Limiting speed with shaft tolerance h6

Mass

Mass bearing unit	3.4 kg
-------------------	--------

Mounting information

Set screw	G_2	M10x1
Hexagonal key size for set screw		5 mm
Recommended tightening torque for set screw		16.5 N·m
Recommended diameter for attachment bolts, mm	G	16 mm
Recommended diameter for attachment bolts, inch	G	0.625 in

Compatible products

Spare part

Insert bearing with set screw locking and extended inner ring

[YAR 211-2F](#)

Recommended product

End cover for bearing units

[ECY 211](#)